

01.02

: 54.03.01.

:

:

1

2

5,

2

180



	<p style="text-align: right;">;</p> <p style="text-align: right;">-</p> <p style="text-align: right;">-</p> <p style="text-align: right;">-</p> <p style="text-align: right;">,</p> <p style="text-align: right;">-</p>
--	---

1

---

,

---

).

.

(

3

---

	<u>1.</u>				
1.		24		8	16
	<u>2</u>				
		4		2	2
2		20		8	12
3.		10		2	8
4		22		8	14
5.	<u>        </u>				
6.		28		8	20
		20		6	14
		24		12	12

		1			1
7.		27			27
		180		54	126

---

-2.

1.

- 1)
- 2)
- 3)
- 4)

2

1)

2.

---

4 ).

3-4.

1)

2)

):

---

         **-6.**

---

---

---

:

         :

---

):

1)

2)

3)

4)

---

         **-9.**

1.

1)

):

2)

---

---

         **-11.**

---

1)

):

2)

\_\_\_\_\_

(

\_\_\_\_\_

\_\_\_\_\_

\_\_\_\_\_

):

1)

2)

\_\_\_\_\_

1)

**3-14.**

\_\_\_\_\_

):

1)

2)

\_\_\_\_\_

\_\_\_\_\_

**5-16.**

\_\_\_\_\_

1)

\_\_\_\_\_

\_\_\_\_\_

**7-18.**

\_\_\_\_\_

1)

2)

3)

- 4)
- 5)
- 6)
- 7)
- 8)

- 1)
- 2)

---

---

**9-20.**

---

---

---

---

**21-23.**

---

- 1)
- 2)
- 3)



---

---

9

---

**24-25.**

.

---

- 1)
- 2)
- 3)

.

- 1)
- 2)
- 3)
- 4)

10

---

,

---

10

**26-27.**

.

---

- 1)

1

---

---

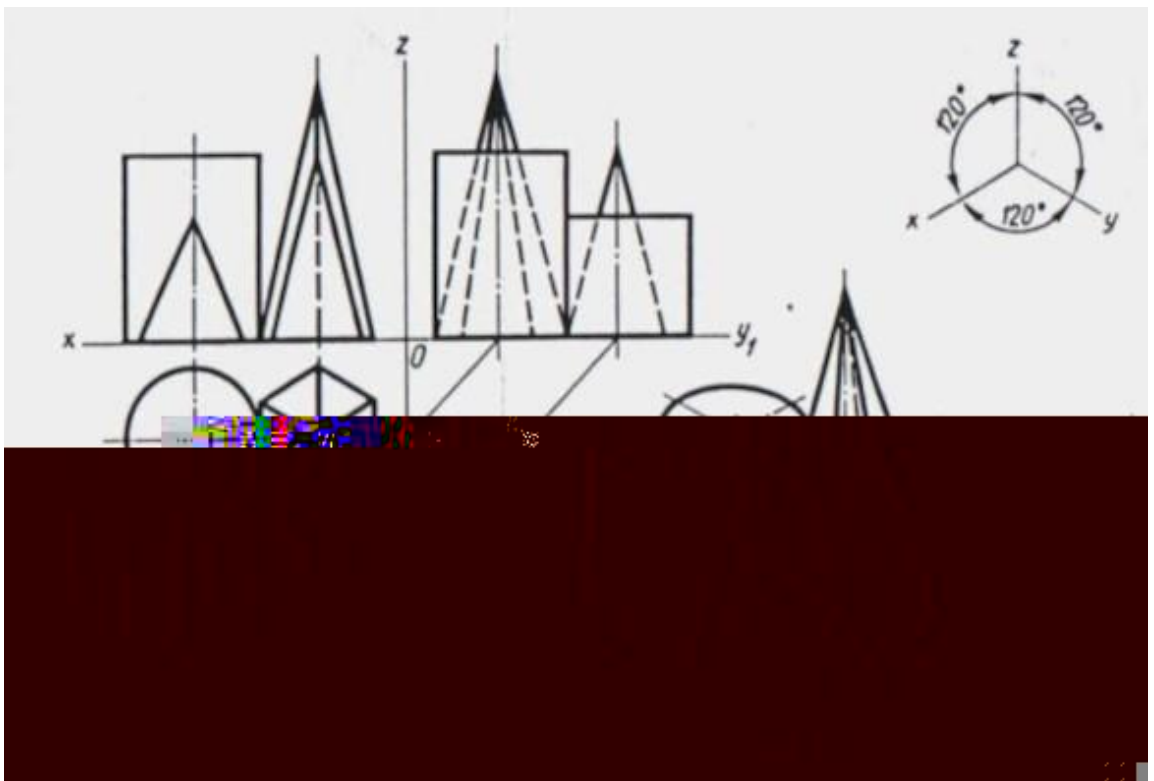
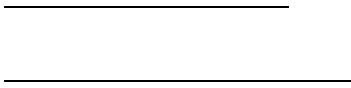
11

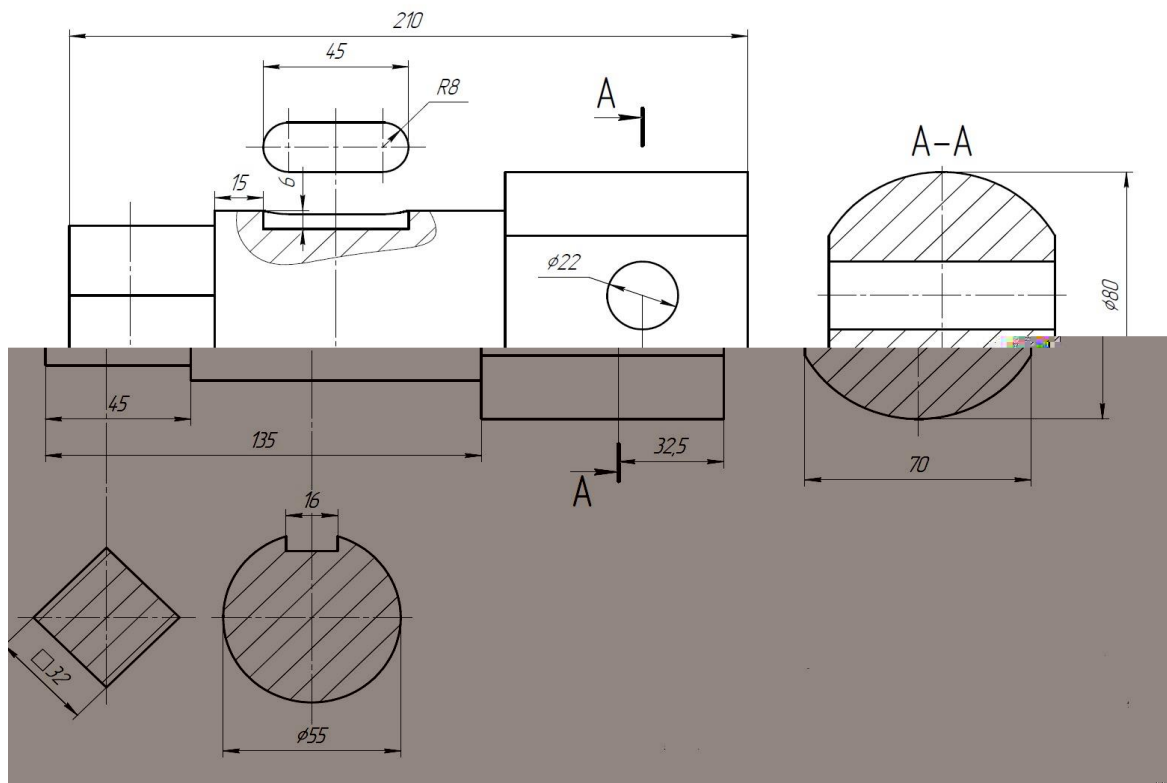
**28-29.**

.

---

- 1)






---

1.

2.

3.

4.

---

2-3

1.

2.

3. ?

4.

5.

---

4-5

\_\_\_\_\_6

\_\_\_\_\_7

\_\_\_\_\_8

\_\_\_\_\_9

---

- 6.
- 7
- 8

- 1.
- 2.
- 3.
- 4.

---

---

---

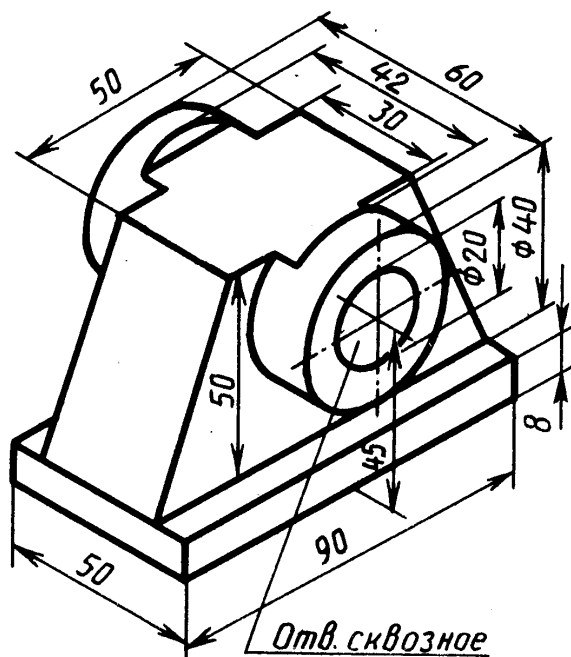
---

---

---

---

- 4.
- 5.
- 6.



\_\_\_\_\_ :

\_\_\_\_\_ :

\_\_\_\_\_ :

\_\_\_\_\_

12-

ISBN 978-5-534-02521-7.  
online.ru/book/10544367-3D61-49CA-9007-67CC16223510

www.biblio-

9-

3. ISBN 978-5-534-04749-  
www.biblio-online.ru/book/27903A20-0583-4F7B-AF4D-  
1778CD78D3B6

1980.

7

8

9

10

2001.

11

12

13

14

15

16

17

### 7.3.

1. <http://window.edu.ru/catalog/resources>
2. [zaharovvj.blogspot.ru 2011/12/blog-post.html](http://zaharovvj.blogspot.ru/2011/12/blog-post.html)
3. [nsportal.ru](http://nsportal.ru) \_\_\_\_\_ -cherchenie



9.

Kaspersky Endpoint Security

FB6-161215-133553-1-6231

Microsoft Open License, 49463448 :

Microsoft Windows Professional 7 Russian

Microsoft Office 2010 Russian

ДОКУМЕНТ ПОДПИСАН  
ЭЛЕКТРОННОЙ ПОДПИСЬЮ

Сертификат: 03B6A3C600B7ADA9B742A1E041DE7D81B0  
Владелец: Артеменков Михаил Николаевич  
Действителен: с 04.10.2021 до 07.10.2022