

" " " "

1	" "	"				
						-
ó ë " 3 " " ì " * 3 "						
1.1	" "	12	2	2	-	8
1.2	" " "	16	4	4	-	8
1.3	" "	16	4	4	-	8
1.4	" "	16	4	4	-	8
1.5	- "	16	4	4	-	8
1.6	" "	17	4	4	-	9
1.7.		17	4	4	-	9
1.8	" "	17	4	4	-	9
1.9	" "	17	4	4	-	9
		144	34	34	-	76

4 0 " ë "

ì

2.1.	" 0	12	2	2		8
2.2	" " " 0 "	16	4	4		8
2.3.	" "	12	2	2		8
2.4.	" " 0	16	4	4		8

1. " " " " " "
2. " " " " 0 "
3. " " " 0 " " "
4. " " " " 0 "
5. " " " " 0 "

1.6 0''' ë " " " " " " " " " "

1. " " " " " " " " " " 0 "
2. " " " " " " " " " " 0 "
3. " " " " " " " " " " " "
4. " " " " " " " " " " " "

1.7 0''' ë - " " " " " " " " " "

1. " " " " - " " " " " "
2. " " " " " " " " " " 0'''

1.8 0'" ë " " " " " " " " " "

- ." " " " " " " " " " " "
1. " " " " " " " " " " " "
 2. " " " " " " " " " " " 0 "
 3. " " " " " " " " " " " 0 "
 4. " " " " " " " " " " " 0 "
 5. " " " " " " " " " " " 0 "

1.9 0''' ë " " " " " " " " " "

1. " " " " " " " " " " " 0 "
2. " " " " " " " " " " " " "
3. " " " " " " " " " " " " "
4. " " " " " " " " " " " " "
5. " " " " " " " " " " " 0 "

1.: 0'" ë " " " " " " " " " "

1. " " " " " " " " " " " 0 "
2. " " " " " " " " " " " " "
3. " " " " " " " " " " " " 0 "
4. " " " " " " " " " " " " 0 "
5. " " " " " " " " " " " " 0 "

1.; 0''' ë " " " " " " " " " "

1. " " " " " " " " " " " " 0 "
2. " " " " " " " " " " " " 0 "
3. " " " " " " " " " " " " 0 "

óë" 3 "

ì " * 3 "

1.10'" ë

" "

" " "

ì 0

- 1.
- 2.
- 3.
- 4.
- 5.

_____ "

< " " " "

" " " " " "

" " " " " "

" " " " " "

0

_____ "

" 3 0 . " " " " "

< " " " " " " " " " "

" " " " " " " " " "

0

" 4 0 " " " " " " " "

" 5 0 . " " " " " " " "

" 6 0 " " " " " " " "

" " " " " " " " " "

0

" " " " " " " " " "

0

" " " " " " " " " "

	"	-	"		-

* " " " " " -3 + . " ó " o " " " "

" " " " " 0

" 7 0 . " " " " " "

0 " "ó " "

1.4 0 " ë

" "

" " "

" "

ì " * 6 "

+

"

"

1.5.'ë - " " " * 6 1' +

3 0 "

4 0 "

5 0 "

6 0 "

7 0 "

8 0 "

0 3 "

*

3 0 "

0 "

0 "

4 0 "

5 0 "

0 "

6 0 "

0 "

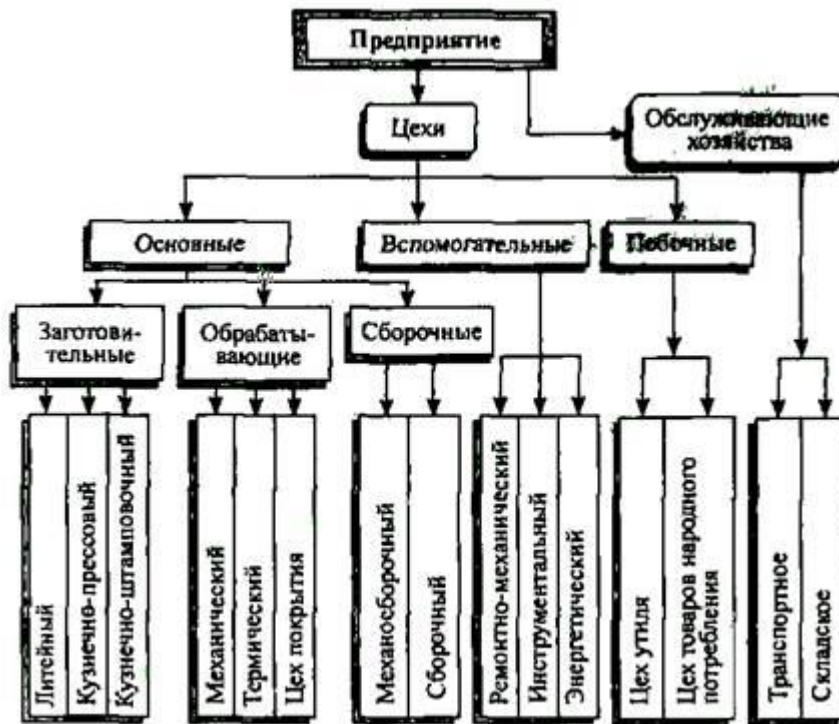
0 "

< "

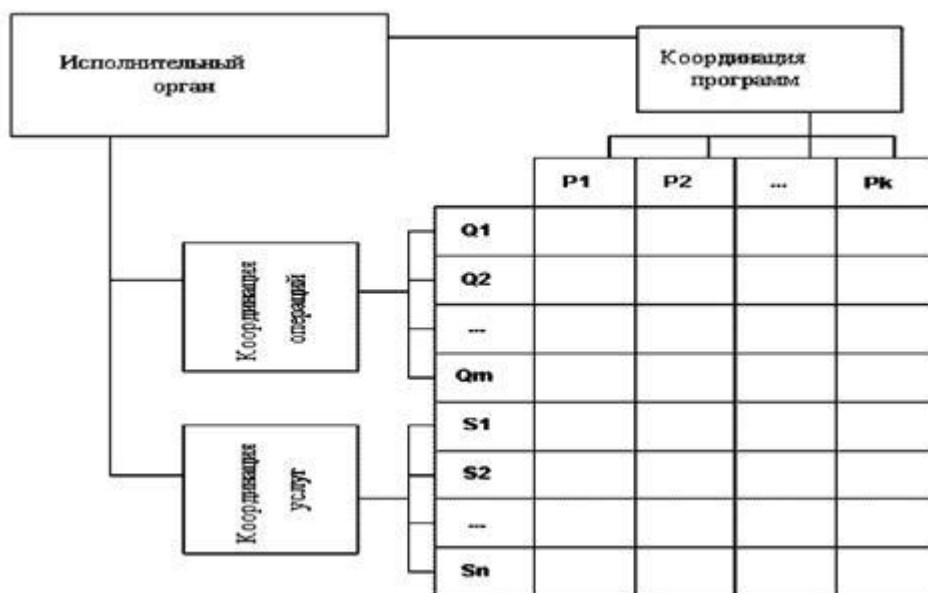
0 "

1

0 "

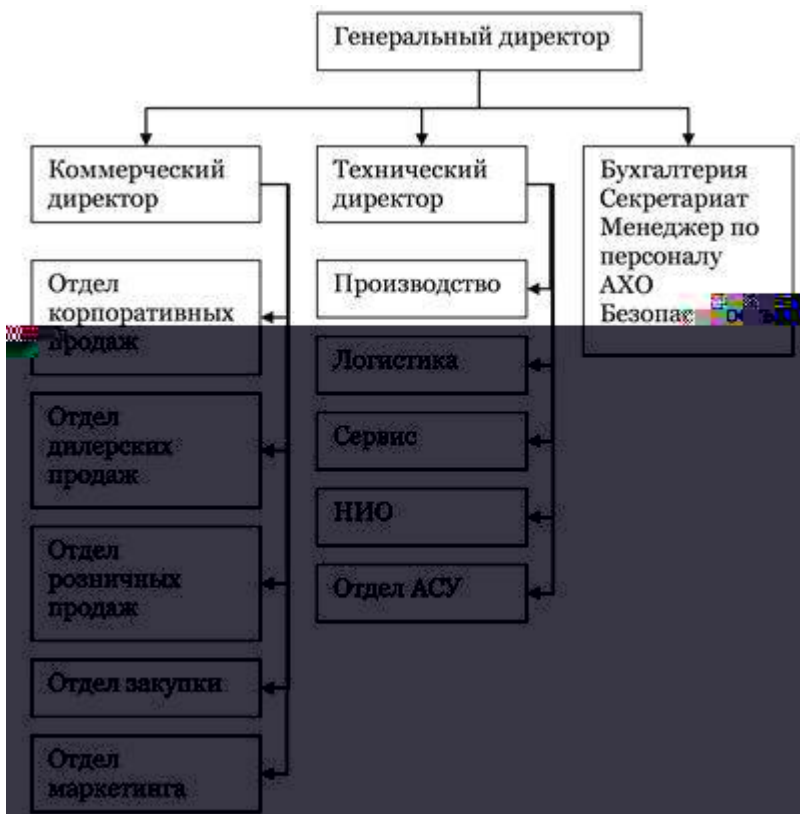


" 5 0 "



" 6 0 "

" " " " " " " " " " " "



1.7€

" "

"

(4

+

3 "
4 "
5 "
6 "

"" 3 0

" 4 0

" 5 0

" 6 0

-100 - - 174

" ; 0 " " " P R X . " K T T " "

-20000 7000 7000 7000 7000

-25000 2500 5000 10000 20000

" 4 0 " ë "

" 2.3 0 " " " "

1. " " " " " "
2. " " " " " "
3. " " " " " " 0 "
4. " " " " " 0

3 0 " " " ë "

É " " " " " " " " " "

É " " " " " " " " " "

É " " " " " " " " " "

É " " " " " " " " " "

1. " * " " " 7 " " " "

2. " " " " " " " " "

" " " + 0 " " " "

É " " " < " * " " "

" " " + = " * " " "

É " " * " " " + =

É " " " * " " " "

É " " " * " " " "

É " " " + = " " " "

'2.4 0 " " " 0 " " "

1. " " " " "
2. " " 0 "
3. " - " 0 " 0 " 0 "
4. " " " 0 "
5. " " 0 " 0 " 0 "
6. " " " " 0 "
7. " " " " " "
8. " " " " " 0 "
9. " " " " " "
10. " " " " " "

1. " " " " " " "
 2. " " " " " " A " "
 3. " " " " " " " " "
 4. " " " " 0 " " " " " "
 5. " " " " " " " " "
 6. " " " " " " " 0 " " "
- A

- " 3 0 " " " 0
1. " " " " " " " " "
 2. " " " " * " " " + "
 3. " " " " " " A " "

- " 4 0
1. " " " " " " " " "
 2. " " " " " " " " "

ó ë " 3 " " " ì " * 3 "

1." " " 3 0 " " " " " " "

Подготовка устного ответа на вопросы

- 3 0 " " " "
- 4 0 " " " " " " " "
- 5 0 " " " " " " 0 "
- 6 0 " " " " " "

P,&p X gl

19

		"	
	8-10	80-100%	80-100
	6-7	60-79%	60-79
	4-5	40-59%	40-5; "
	0-3	40% "	0-39

"	- " * 3 2)	
87-100	10	
84-86	9	
80-83	8	
70-79	7	
60-69	6	
50-59	5	
40-49	4	
30-39	3	
20-29	2	
0-19	1	

70 "

7.1

1. " < " " " 1 " 00 " ; "]
 " 0 " 0 0 . " 0 0 . " 0 2- "0 ô 0 :
 0. 156 0 *. " 4 2 4 " ô ISBN 978-5-534-01107-
 6. ô " < " " 1 1 " " ô

URL: <https://urait.ru/bcode/469755>

2. " " < " " " " 1 " 00 " " "
] " = " 0 _ " 0 " 00 " 0 0. " 0 0 :
 0. 301 0 *. " 4 2 4 " ô ISBN 978-5-534-01304-
 6. ô " < " " 1 1 " " ô

URL: <https://urait.ru/bcode/469756>

3. 0 . " 0 < " " " " /
 0 0 ô 0 < " 0. 237 0 .*" 4 2 4 " "
 ô ISBN 978-5-9916-8789-8. ô " < " " 1
 " ô URL: <https://urait.ru/bcode/470080>

7.2

1. 0 " 0 " " " " "
 " " 5 0 " 0 " " " "
 < " " " 1 " 0 " " 0" . " 0 6- "0 0 .
 0 "ô " < 0 0. ô 207 0 * . " 4 2 4 " ô
 ISBN 978-5-534-08250-0. ô " < " " 1 1 "
] ô URL: <https://urait.ru/bcode/471047>

2. 0 " 0 " < " " " " /
 0 0 0 . " 0 03- " 0 . " ô " " " 0

ì 0

Microsoft Open License :

ó Microsoft Windows Professional XP, 7, 8, Server Russian;

ó Microsoft Office 2003-2016 Russian.

ДОКУМЕНТ ПОДПИСАН
ЭЛЕКТРОННОЙ ПОДПИСЬЮ

Сертификат: 0386A3C600B740A9B742A1E0A10F7081B0

Владелец: Артеменков Михаил Николаевич

Действителен: с 04.10.2021 до 07.10.2022