

2021

**11**

2  
4

3 108  
4

2022

11)

<b>-6</b>	:  -  :  -  -  -

**3**

ArchiCAD

				-
1		4	2	2
2	ArchiCAD.	4	2	2
3		4	2	2
4		6	4	2
5		6	4	2
6		4	2	2
7		6	4	2
8		4	2	2
9		6	4	2
10		6	4	2
	Artlantis Studio			
11		6	4	2
12		7	4	3
	ArchiCAD			
13		6	4	2
	ArchiCAD			
14		7	4	3
15		5	2	3
		27		27
		<b>108</b>	<b>48</b>	<b>60</b>

\_\_\_\_\_  
: ArchiCAD

**ArchiCAD.**

\_\_\_\_\_

D-

\_\_\_\_\_  
:

2)

ArchiCAD.

\_\_\_\_\_

-

\_\_\_\_\_

\_\_\_\_\_  
:

\_\_\_\_\_  
:

-

\_\_\_\_\_

\_\_\_\_\_  
:

\_\_\_\_\_

-

\_\_\_\_\_

\_\_\_\_\_  
:

-

-  
-  
-  
\_\_\_\_\_ :

-

\_\_\_\_\_  
\_\_\_\_\_ :

\_\_\_\_\_ :

-

\_\_\_\_\_  
\_\_\_\_\_ :

-

-

-

-

-

- 3D-

-

-

-

\_\_\_\_\_ :

-

\_\_\_\_\_  
\_\_\_\_\_ :

-

-

-

-

-  
\_\_\_\_\_  
:

\_\_\_\_\_  
\_\_\_\_\_  
:

-  
-  
-  
-  
-  
\_\_\_\_\_  
:

**Artlantis Studio.**

\_\_\_\_\_  
\_\_\_\_\_  
:

Artlantis Studio

ArchiCAD;

- D-

-  
-  
-  
-  
-  
-  
-  
-  
\_\_\_\_\_  
:

D-  
Artlantis Studio:

\_\_\_\_\_

\_\_\_\_\_ :

\_\_\_\_\_ :

-

**ArchiCAD.**

\_\_\_\_\_ ArchiCAD.

\_\_\_\_\_ :

1) ;

4)

\_\_\_\_\_ :

**13.**

**ArchiCAD.**

\_\_\_\_\_

Profiler, TrussMaker, ArchiForma

\_\_\_\_\_ :

1)

Profiler, TrussMaker, ArchiForma.

\_\_\_\_\_ :

**14.**

\_\_\_\_\_ Artlantis Studio.

\_\_\_\_\_ :

-

-

-

-

-

\_\_\_\_\_ :

Artlantis Studio

\_\_\_\_\_

\_\_\_\_\_:

\_\_\_\_\_:

**6.**

**1.**

*a*  
*b*  
*c*  
*d*

<

<

<

**Archi CAD:**

<

<

<

*a*  
*b*  
*c*  
*d*

<

*a*  
*b*  
*c*  
*d*

*a*  
*b*  
*c*  
*d*

<

*a*  
*b*



c  
d

-

**Archi CAD:**

a  
b)  
c  
d

<

:

a) Teamwork;  
b  
c  
d

Archi CAD:

a ;  
b 3  
c) 3-D  
d) TeamWork

a  
b  
c ~~IK~~ 3  
d

a  
b  
c  
d <

ArchiCAD:

a) FTP-  
b  
c) Web-  
d <

a  
b  
c  
d

a

b

c

d

<

<

Archi CAD

a

b

c

d

<

Archi CAD

a

b

c

d

<

a

b

c

d

*И* <

):

a) <Ctrl+A>;

b) <Shift+ >;

c) <Ctrl+Alt+ >;

d) <Alt+S> .

a

b

c

d

<

;

19.

a)

b) *И*

c)

d)

;

:

- a) D- D-
- b) D-
- c) -D- <
- d)

D-

- a)
- b)
- c) <
- d)

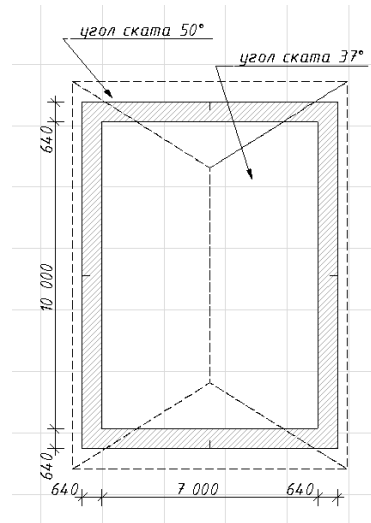
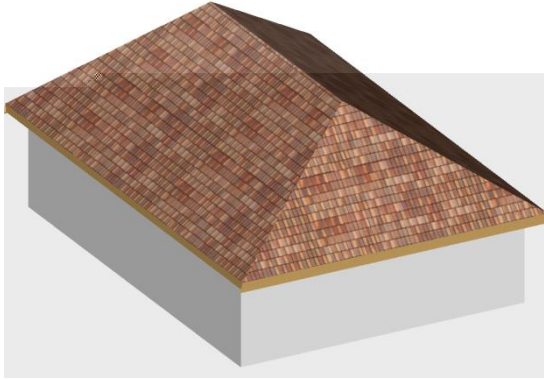
- a) *Ctrl+D*>;
- b) <Shift
- c) <Ctrl+Alt>;
- d) <Alt+S> .

- a) <
- b)
- c)
- d)

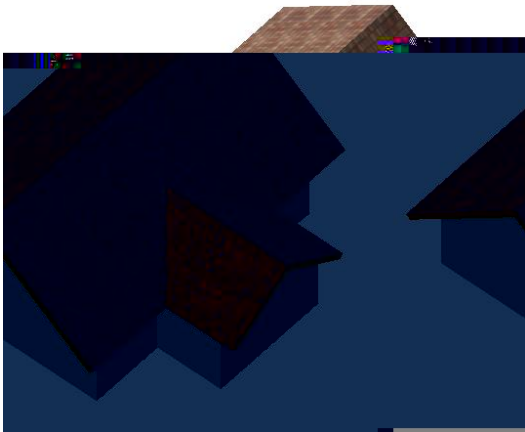
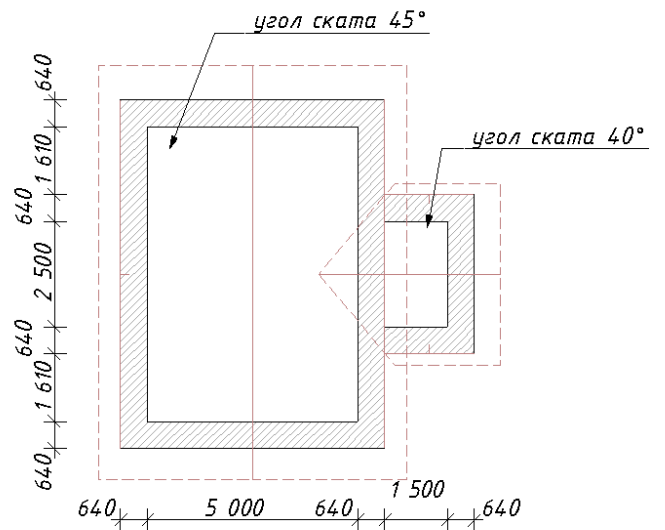
- a)
- b)
- c)
- d)

- a)
- b)
- c) <
- d)

86% - 100%	
69% - 84%	
50% - 68%	



TrussMaker.



•  
•  
TrussMaker.



•

1. 192 c. ISBN 978-5-9614-7513-5. URL: <https://www.iprbookshop.ru/119593.html>
  2. 233 3- / ISBN 978-5-534-12341-8. URL: <https://urait.ru/bcode/490997>
  3. 272 2- : ISBN 978-5-534-07959-3. URL: <https://urait.ru/bcode/494227>
  4. 208 2- ISBN 978-5-534-07962-3. URL: <https://urait.ru/bcode/454519>
  1. 2007.
  2. Photoshop -
  - 3.
  - 4.
  5. -
  6. -
  - 7.
- 
1. <http://sbiblio.com/biblio/content.aspx?dictid=43&wordid=191663>
  2. <http://www.arttutorials.ru/>
  3. [http://pstgrafika.ru/articles/graficheskie\\_formaty.php](http://pstgrafika.ru/articles/graficheskie_formaty.php)
  4. <http://window.edu.ru>
  5. <http://katalog.iot.ru/>
  6. <http://www.school.edu.ru/default.asp>
  7. <http://www.edu.ru/>

8.

<http://www.knigka.info/category/coreldraw/>

-

Samsung

Lide

-

Lide

-

Samsung (1

9.

1. ( )

2. Microsoft Open License (Windows XP, 7, 8, 10, Server, Office 2003-2016),  
66920993 24.05.2016, ( )

3. Microsoft Open License (Windows XP, 7, 8, 10, Server, Office 2003-2016),  
66975477 03.06.2016, ( )

4.

1FB6181220135520512073

ДОКУМЕНТ ПОДПИСАН  
ЭЛЕКТРОННОЙ ПОДПИСЬЮ

Сертификат: 03B6A3C600B7ADA9B747A1F041DE7D8URQ

Владелец: Артеменков Михаил Николаевич  
Действителен: с 04.10.2021 до 07.10.2022